

PFA134

Water-proof Junction Box



Features

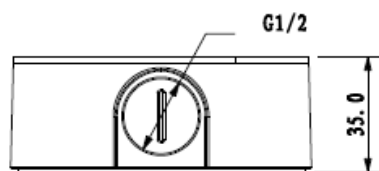
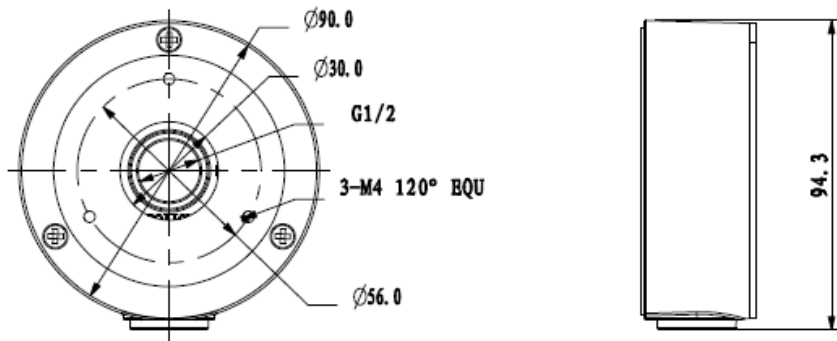
- Material: Aluminum & SECC
- Junction Box
- Neat & Integrated design

Specifications

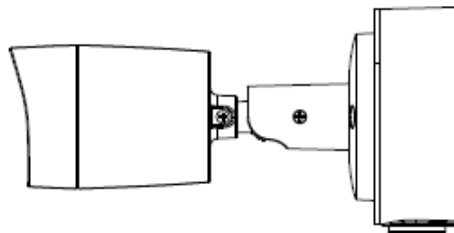
| Model | PFA134 |
|-----------------------|----------------------------------|
| General | |
| Material | Aluminum & SECC |
| Dimension | φ90x35mm |
| Inch Thread | M20(G1/2") |
| Operating Temperature | -40°C ~60°C |
| Humidity | 0~90% RH |
| Load Bearing | 1.0Kg |
| Weight | 0.22Kg |
| Color | White |
| Applicable Model | Please see "Accessory Selection" |

PFA134

Dimensions (mm)



Application



Dahua Technology Co., Ltd.

1199 BinAn Road, Binjiang District, Hangzhou, China

Tel: +86-571-87688883

Fax: +86-571-87688815

Email: overseas@dahuatech.com

www.dahuasecurity.com

*Design and specifications are subject to change without notice.

© 2014 Dahua Technology Co., Ltd.